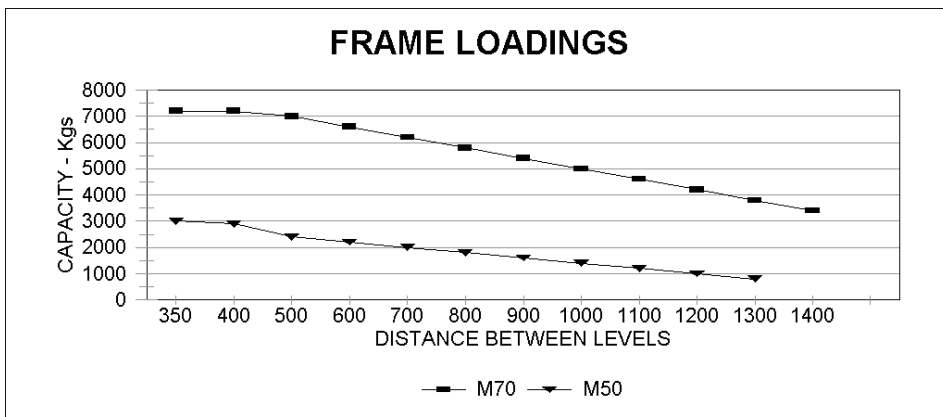
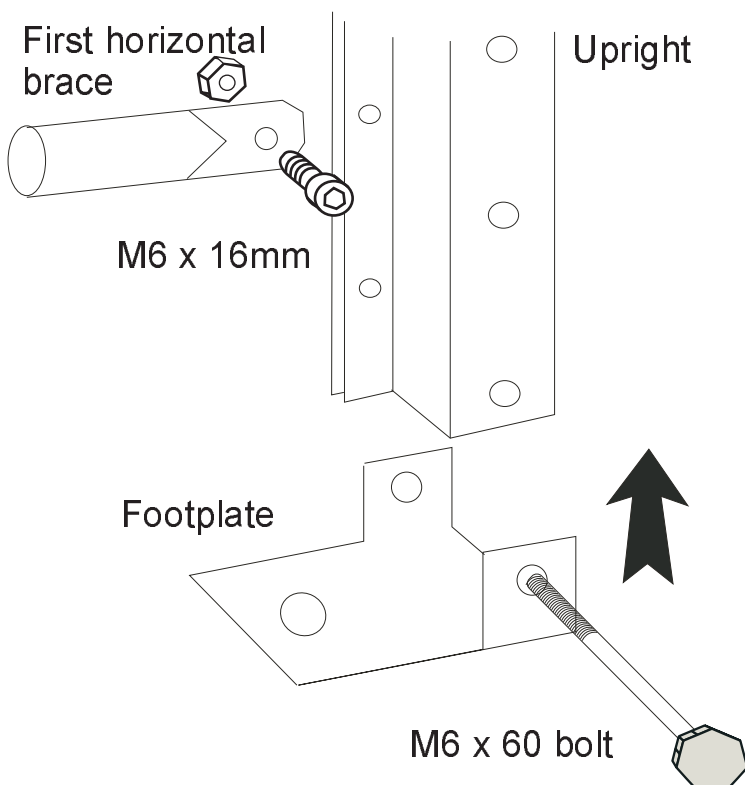


HEIGHT	FRAME DEPTH															
	300		400		500		600		700		800		1000		1200	
	horz	diag	horz	diag	horz	diag	horz	diag	horz	diag	horz	diag	horz	diag	horz	diag
1950	3	4	3	3	3	3	3	2	3	2	3	2	3	2	3	2
2550	3	6	3	5	3	4	4	3	4	3	4	3	4	3	4	3
3000	3	7	3	6	3	5	4	4	4	3	4	3	4	3	4	3
3450	3	9	3	7	3	5	4	4	4	4	4	4	4	4	4	4
4050	3	10	3	8	3	6	4	5	4	5	4	5	4	5	4	5
4500	3	12	3	9	3	7	4	6	4	5	4	5	4	5	4	5
4950	3	13	3	10	3	8	4	7	4	6	4	6	4	6	4	6
5550			3	11	3	9	4	8	4	7	4	7	4	7	4	7
6000			3	12	3	10	4	8	4	7	4	7	4	7	4	7
6450			3	13	3	11	4	9	4	8	4	8	4	8	4	8
7050			3	15	3	12	4	10	4	9	4	9	4	9	4	9



P	M70	M50
350	7200	3000
400	7200	2900
500	7000	2400
600	6600	2200
700	6200	2000
800	5800	1800
900	5400	1600
1000	5000	1400
1100	4600	1200
1200	4200	1000
1300	3800	800
1400	3400	

**P** DISTANCE BETWEEN LEVELS mm  
**M50** FRAME CAPACITY Kgs  
**M70** FRAME CAPACITY Kgs



#### FRAME ASSEMBLY

- 1) Check the upright is the correct way up by making sure the footplate lines up to the end of the upright with the lowest bolt hole.
- 2) Bolt the footplate on using the 60mm nut and bolt provided
- 3) Position the first horizontal brace 85mm up from the end or the second bolt hole and fix with the M6 x 16mm nut and bolt
- 4) Position the other horizontal and diagonal bracing as per the attached diagram

#### BEAM AND PANEL INSTALLATION

**IMPORTANT** - The first beam level should be no greater than 700mm from the floor and the system is designed for hand loaded goods only. Forklifts should not be used to load the system.

- 1) Simply clip the beam into the face of the upright, the beams are adjustable every 25mm. Once located the safety pin should be inserted into each end of the beam to eliminate the beam accidentally being knocked out.
- 2) If a beam tie has been supplied it should be fitted now by simply inserting into the hole in the centre of the beam on the underside.
- 3) When all the beams are fitted and the bays are square and level, the metal shelf panels can be placed on top of the beams.

## MIDSPAN FRAME ASSEMBLY DETAILS

Please follow the diagrams below for the positioning of the diagonal and horizontal bracing. Each diagram shows the position of the lower horizontal battens and then how the diagonal bracing continues along the entire frame length. All frames are then finished with one horizontal brace at the top, except the following sizes which will have two horizontal braces, evenly spaced.

NB

These frames require TWO HORIZONTAL BRACES at the top

4050 x 500

3450 x 600

4050 x 600

